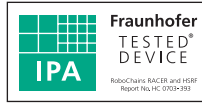




Order Example (주문예)

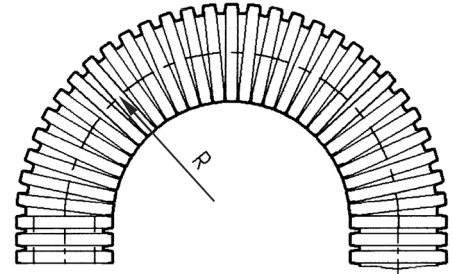
HSRF 2849



HSRF 2849	1000L	A+B	3SETS
Type	Length	Brackets	Q'ty

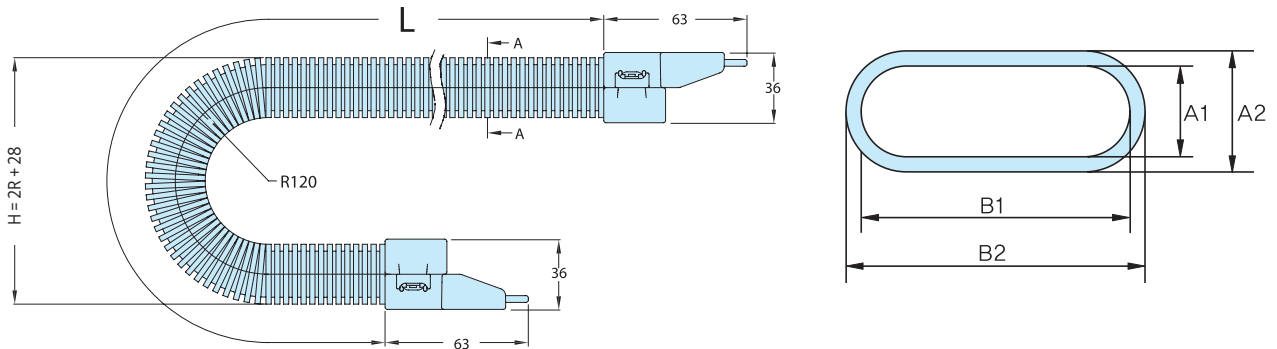
→ stat. R
lowest recommended bending radius for static (fixed) installation.

→ dyn. R
lowest recommended bending radius for dynamic (flexible) installation.



star.R	dyn.R	A1	A2	B1	B2
50	120	21	28	41	48

RoboFlex



Brackets

