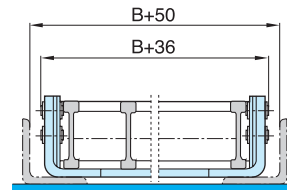
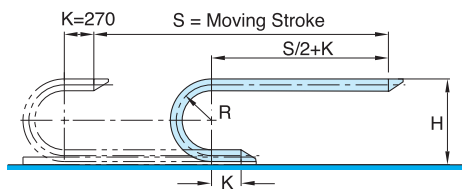
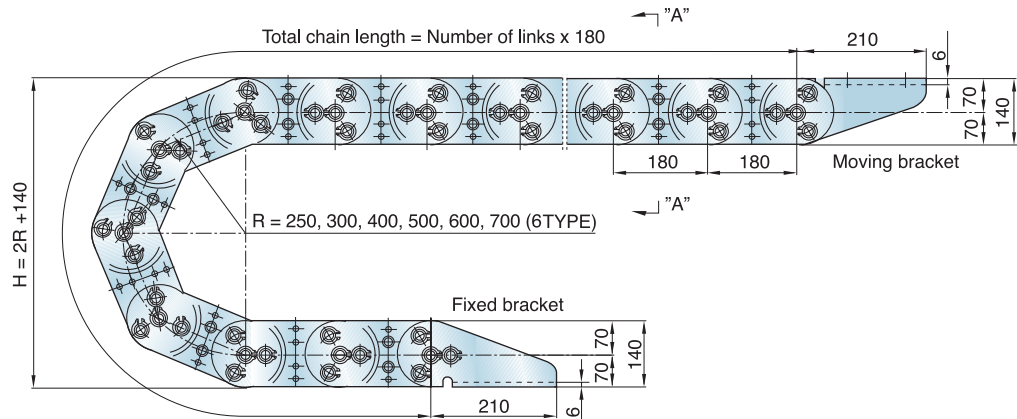


Order Example (주문예)

HSS 180

HSS180 700R B400 D:4 7920L 3SETS
 Type Radius Width Divider Length Q'ty

Chain, Guide Rail



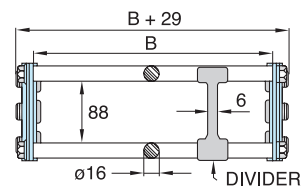
Guide Rail

· Length $L = \frac{S}{2} + \pi R + 540$

· Radius	R	250	300	400	500	600	700
· Height	H	640	740	940	1140	1340	1540

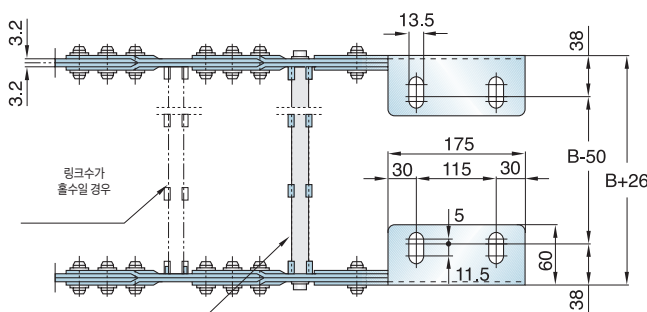
Divider

Cable/Hose	dmax	ø80				
Frame Dim	"B"	300	400	500	600	700
Divider	Min.No	3	4	5	6	7
	Max.No	5	8	10	12	14

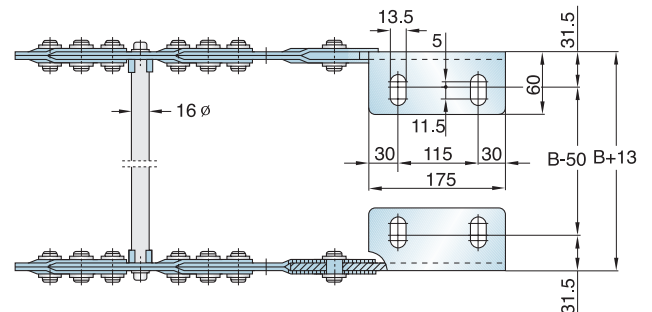


A-A Cross Section

Brackets



Fixed Bracket



Moving Bracket