

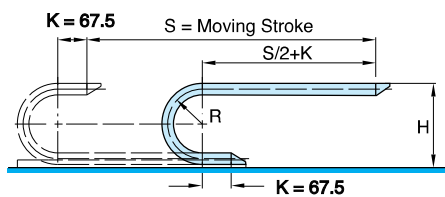
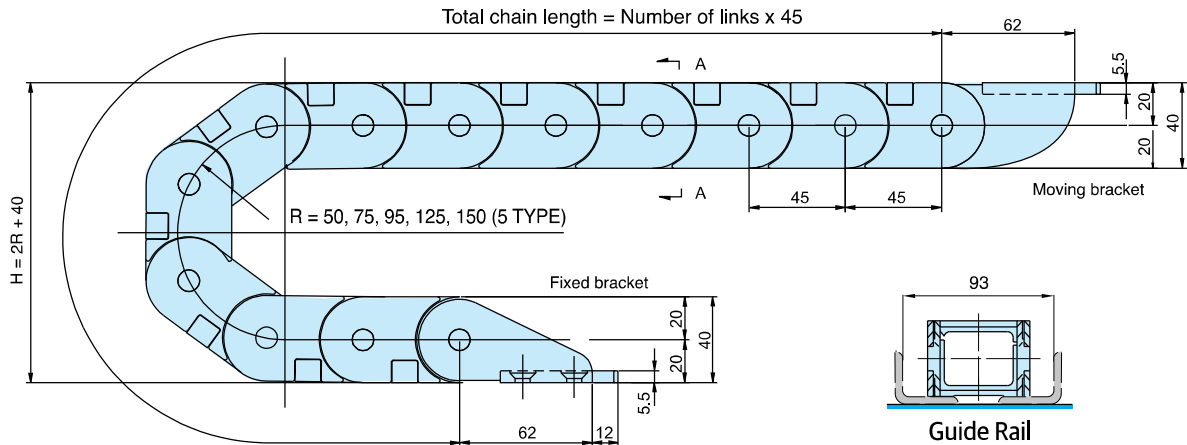


Order Example (주문예)

# HSP 0450-2BNC

HSP0450-2BNC 150R 2000L 3SETS  
Type Radius Length Q'ty

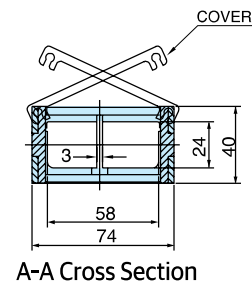
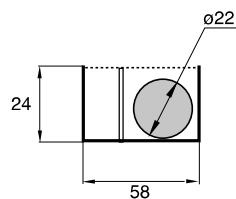
Chain,  
Guide Rail



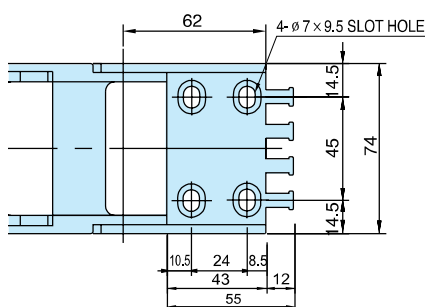
· Length  $L = \frac{S}{2} + \pi R + 136$

· Radius	R	50	75	95	125	150
· Height	H	140	190	230	290	340

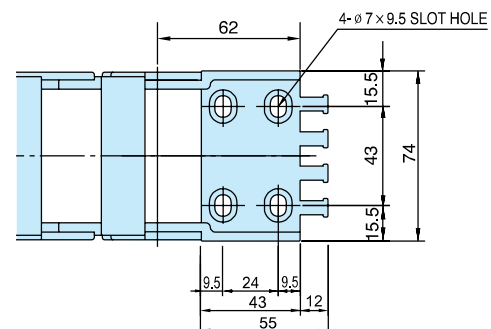
Max. Cable Diameter  
Cross Section



Brackets



Fixed Bracket



Moving Bracket