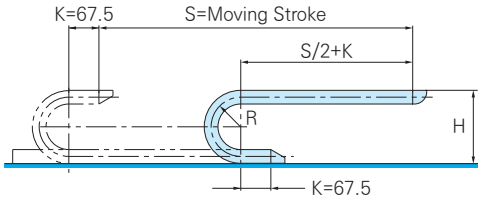
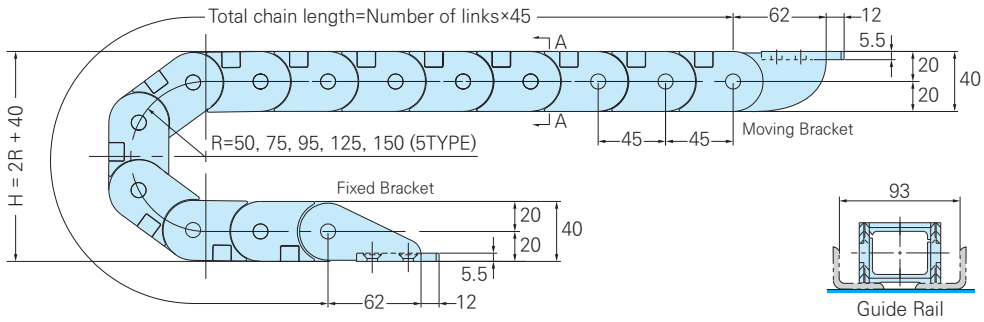


HSP 0450-2BN

ORDER EXAMPLE

HSP0450-2BN 150R 2000L 3SETS
 Type Radius Length Q'ty

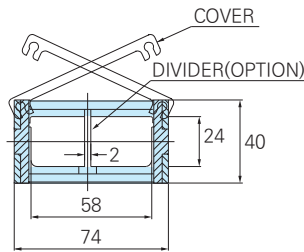
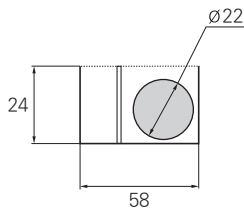
Chain, Guide Rail



$$\text{Length}(L) = \frac{S}{2} + \pi R + 135$$

Radius(R)	50	75	95	125	150
Height(H)	140	190	230	290	340

Max. Cable Diameter Cross Section

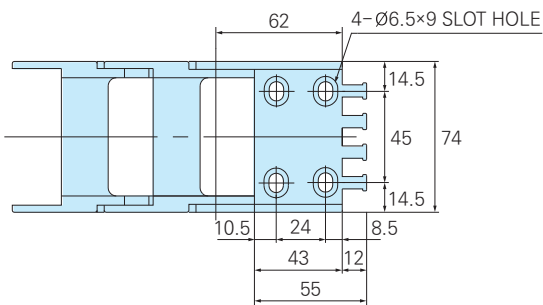


A-A Cross Section

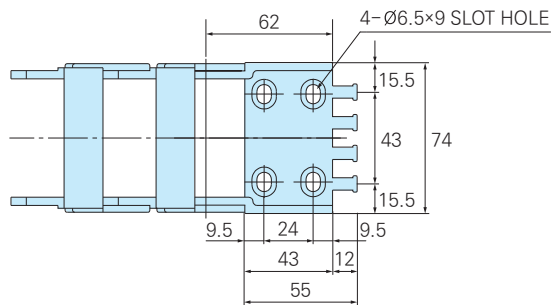


HSP 0450-2BNC
 See page 87

Brackets



Fixed Bracket



Moving Bracket