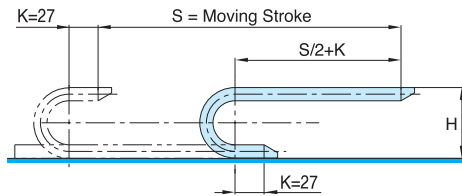
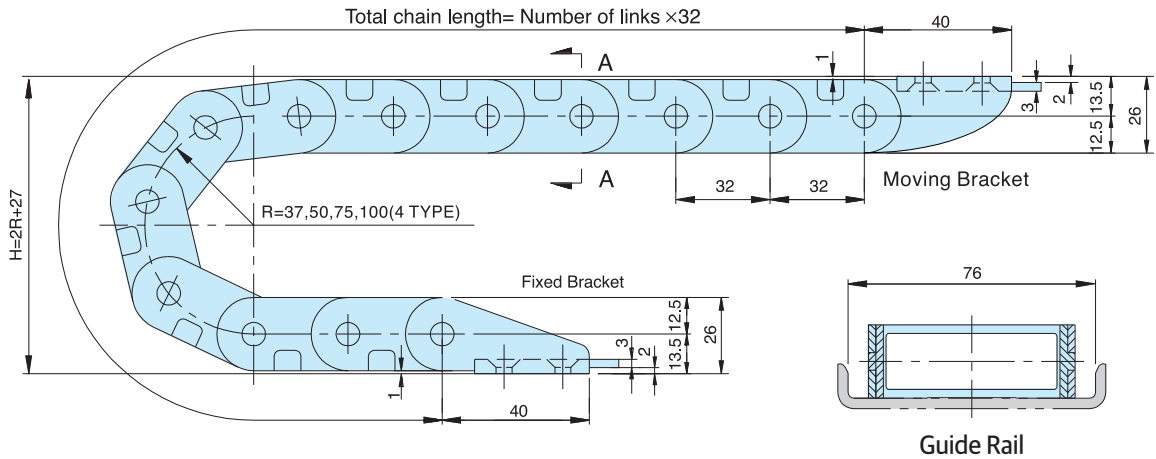


# HSP 0320-3BN (HSP 0320-50)

Order Example (주문예)

HSP0320-3BN 50R 1000L 3SETS  
Type Radius Length Q'ty

## Chain, Guide Rail

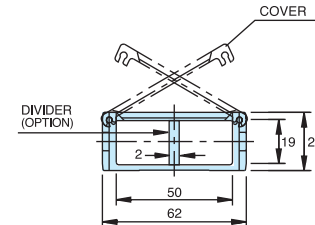
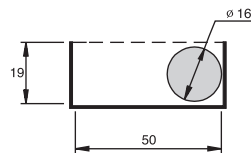


· Length  
· Radius  
· Height

$$L = \frac{S}{2} + \pi R + 96$$

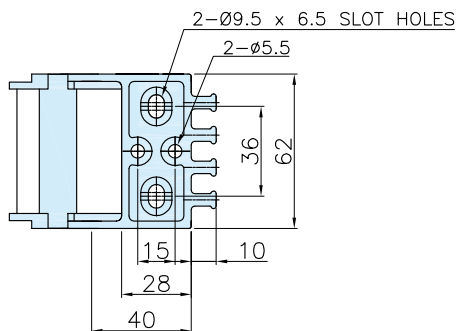
Radius	R	37	50	75	100
Height	H	101	127	177	227

## Max. Cable Diameter Cross Section

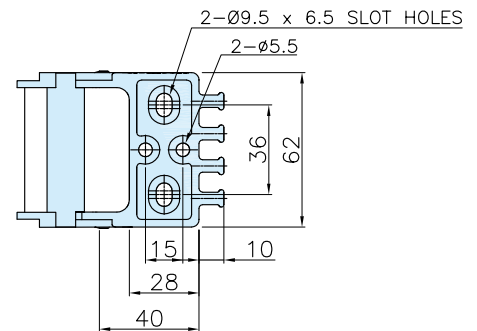


A-A Cross Section

## Brackets



Fixed Bracket



Moving Bracket