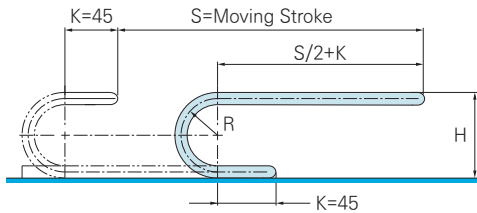
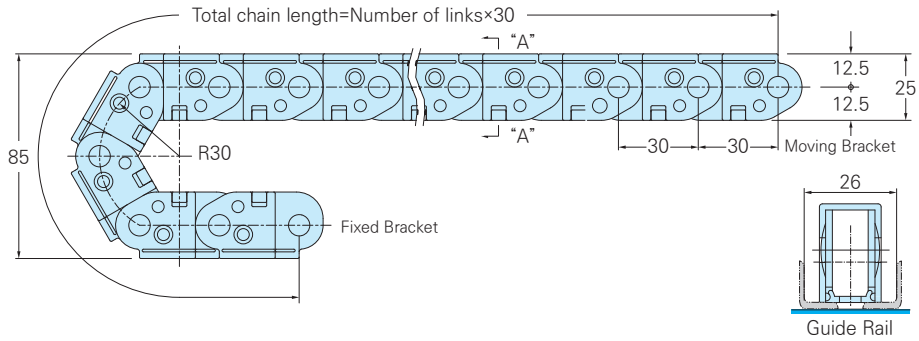


HSP 0300-1B

ORDER EXAMPLE			
HSP0300-1B	30R	1000L	3SETS
Type	Radius	Length	Q'ty

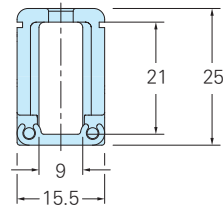
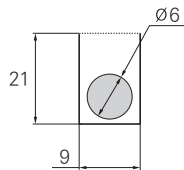
Chain, Guide Rail



$$\text{Length}(L) = \frac{S}{2} + \pi R + 90$$

Radius(R)	30
Height(H)	85

Max. Cable Diameter Cross Section



A-A Cross Section

Brackets

(별도의 END BRACKET이 없이 CHAIN에 취부)

