

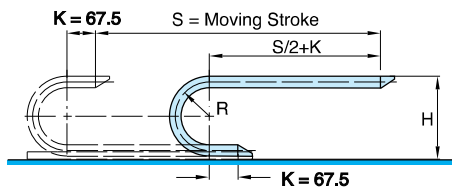
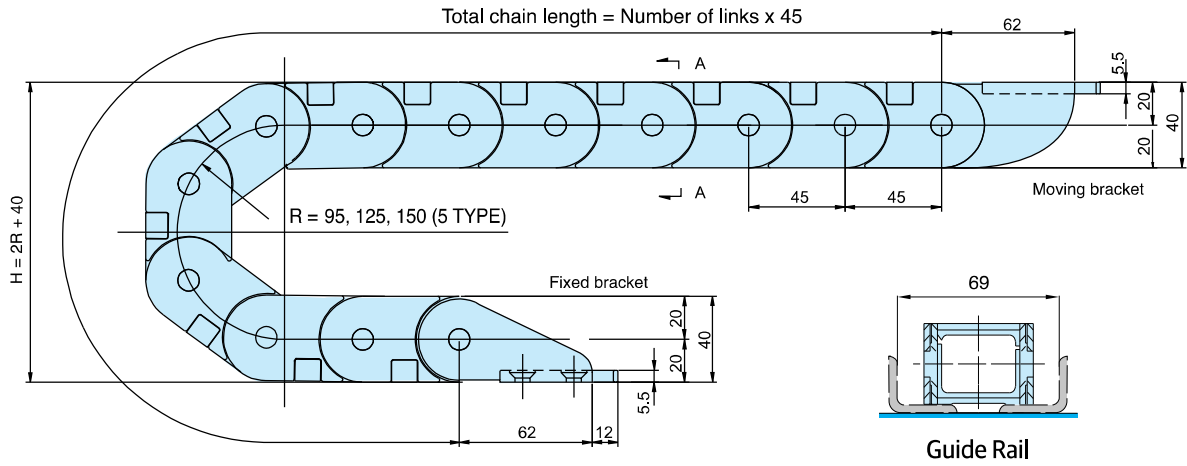
NEW

HSC 0450-38C

Order Example (주문예)

HSC0450-38C 150R 2000L 3SETS
 Type Radius Length Q'ty

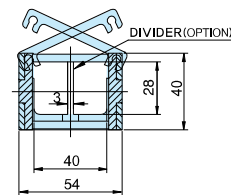
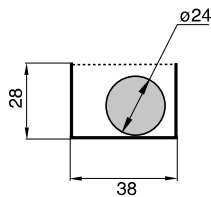
Chain, Guide Rail



· Length $L = \frac{S}{2} + \pi R + 135$

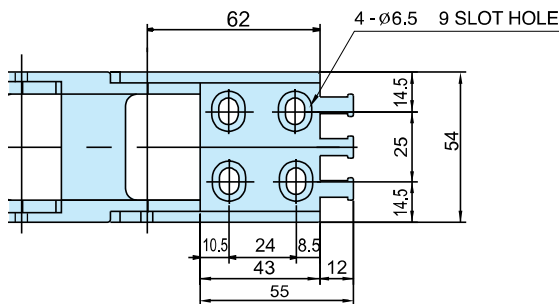
· Radius	R	95	125	150
· Height	H	230	290	340

Max. Cable Diameter Cross Section

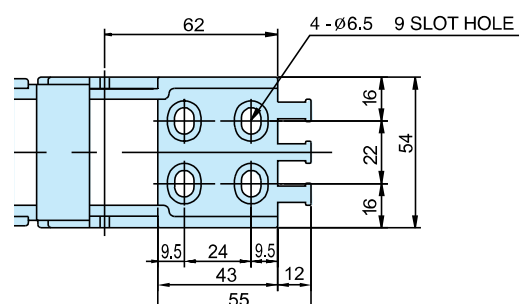


A-A Cross Section

Brackets



Fixed Bracket



Moving Bracket